

Acrylic Curtain Baton

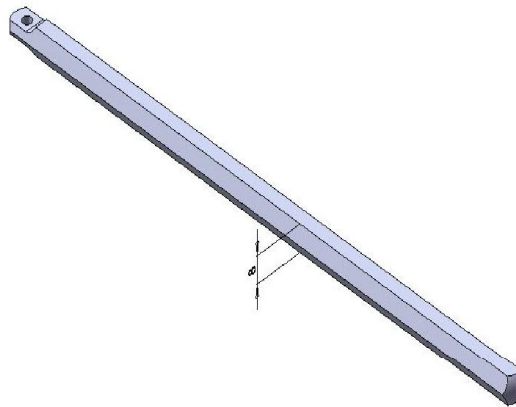
Various type of designs for your option

Welcome your own design for handle shape making. We have ready- made rods with inner color lines, spiral and bubbles types for applying to make handles.

SME-A-01 Acrylic hexagonal type wand.

Specification:

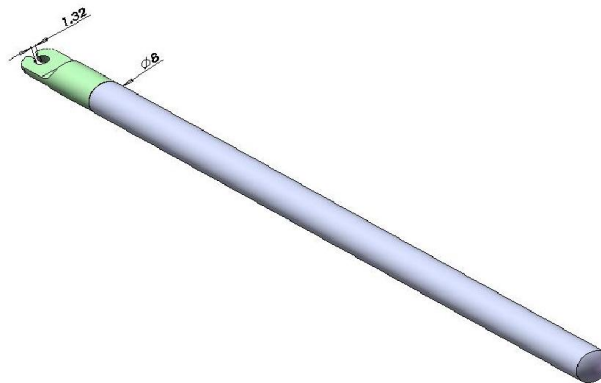
- Hex wand 7.92mm x 10" L
- Hex wand 7.92mm x 20" L
- Hex wand 7.92mm x 30" L
- Hex wand 7.92mm x 40" L
- Hex wand 7.92mm x 50" L
- Hex wand 7.92mm x 60" L
- Hex wand 7.92mm x 70" L
- Hex wand 7.92mm x 80" L
- Hex wand 7.92mm x 90" L
- Hex wand 7.92mm x 100" L
- Hex wand 7.92mm x 144" L



SME-A-02 Acrylic round type wand with polycarbonate head.

Specification:

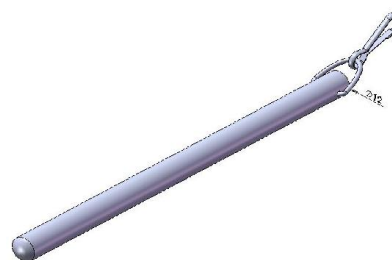
- Round wand dia. 8mm x 10"
- Round wand dia. 8mm x 20"
- Round wand dia. 8mm x 30"
- Round wand dia. 8mm x 40"
- Round wand dia. 8mm x 50"
- Round wand dia. 8mm x 60"
- Round wand dia. 8mm x 70"
- Round wand dia. 8mm x 80"
- Round wand dia. 8mm x 90"



SME-A-03 Round Wand with metal clip.

Specification:

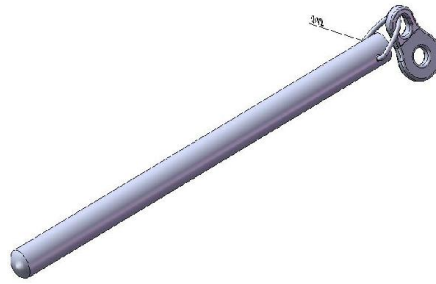
- dia. 12 mm x 610 mm L
- dia. 12 mm x 762 mm L
- dia. 12 mm x 914 mm L
- dia. 12 mm x 1219 mm L
- dia. 12 mm x 1524 mm L
- dia. 12 mm x 1829 mm L



SME-A-04 Round Wand with plastic adapter.

Specification:

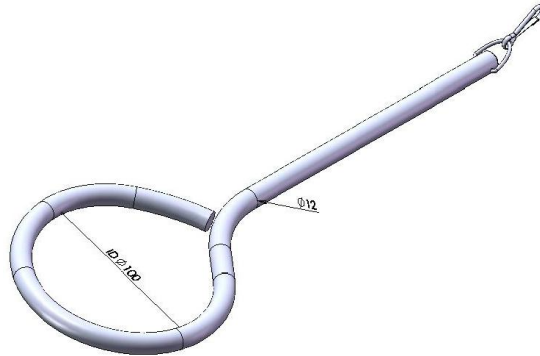
- dia. 12 mm x 762 mm L
- dia. 12 mm x 914 mm L
- dia. 12 mm x 1219 mm L
- dia. 12 mm x 1524 mm L
- dia. 12 mm x 1829 mm L



SME-A-05 Acrylic 4" loop type Round Wand with small metal clip.

Specification:

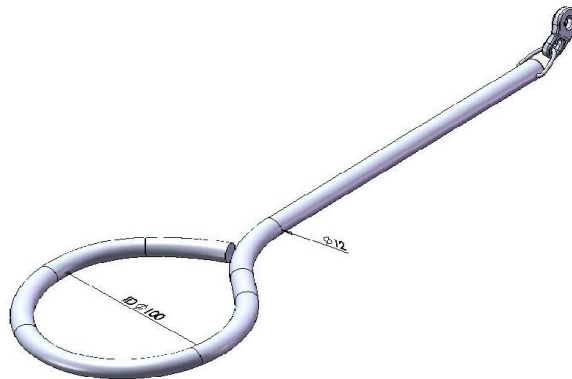
- dia. 12 m x 1524 mm
- dia. 12 m x 1219 mm



SME-A-06 Acrylic 4" loop type Round Wand with small plastic adapter.

Specification:

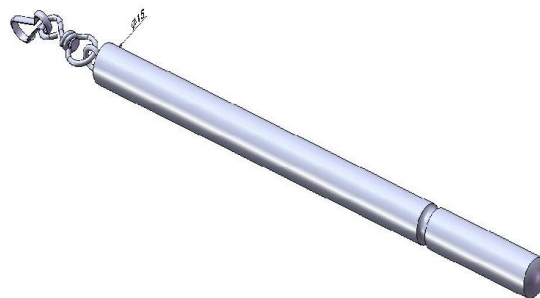
- dia. 12 m x 1524 mm
- dia. 12 m x 1219 mm



SME-B-01 Acrylic round type blind rod with small metal clip.

Specification:

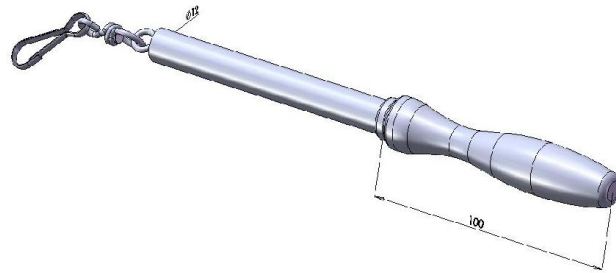
- dia. 15 x 600mm (L)
- dia. 15 x 750mm (L)
- dia. 15 x 1000mm (L)
- dia. 15 x 1250mm (L)
- dia. 15 x 1500mm (L)
- dia. 15 x 1800mm (L)



SME-B-02 Acrylic round blind rods handle type with small metal clip.

Specification:

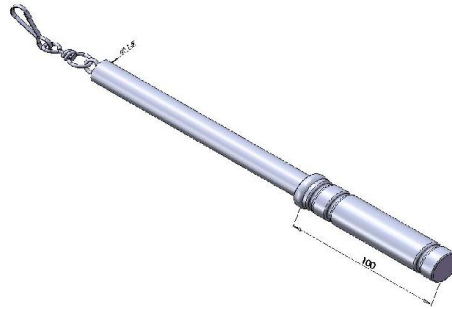
- dia. 12 x 600mm (L)
- dia. 12 x 750mm (L)
- dia. 12 x 1000mm (L)
- dia. 12 x 1250mm (L)
- dia. 12 x 1500mm (L)
- dia. 12 x 1800mm (L)



SME-B-03 Acrylic round blind rods handle type with small metal clip.

Specification:

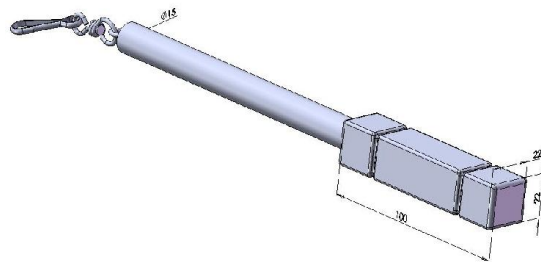
- dia. 15 x 600mm (L)
- dia. 15 x 750mm (L)
- dia. 15 x 1000mm (L)
- dia. 15 x 1250mm (L)
- dia. 15 x 1500mm (L)
- dia. 15 x 1800mm (L)



SME-B-04 Acrylic round blind rods handle type with small metal clip.

Specification:

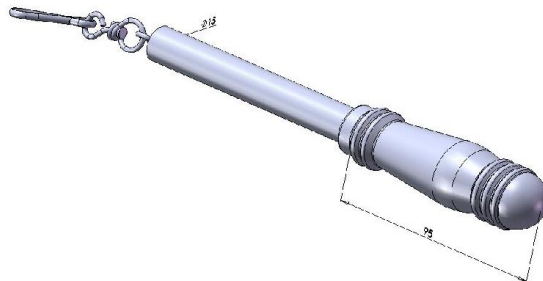
- dia. 15 x 600mm (L)
- dia. 15 x 750mm (L)
- dia. 15 x 1000mm (L)
- dia. 15 x 1250mm (L)
- dia. 15 x 1500mm (L)
- dia. 15 x 1800mm (L)



SME-B-05 Acrylic round blind rods handle type with small metal clip.

Specification:

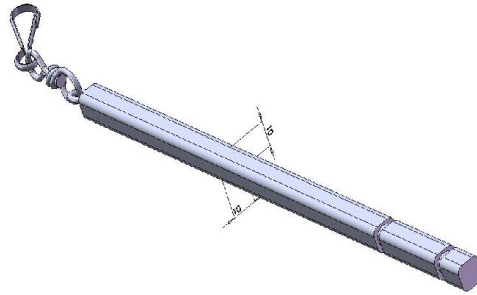
- dia. 15 x 600mm (L)
- dia. 15 x 750mm (L)
- dia. 15 x 1000mm (L)
- dia. 15 x 1250mm (L)
- dia. 15 x 1500mm (L)
- dia. 15 x 1800mm (L)



SME-B-06 Acrylic square type blind rod with small metal clip.

Specification:

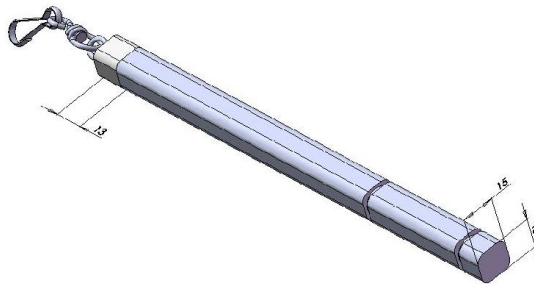
- square 10 x 600mm (L)
- square 10 x 750mm (L)
- square 10 x 1000mm (L)
- square 10 x 1250mm (L)
- square 10 x 1500mm (L)
- square 10 x 1800mm (L)



SME-B-07 Acrylic square type blind rod with small metal clip.

Specification:

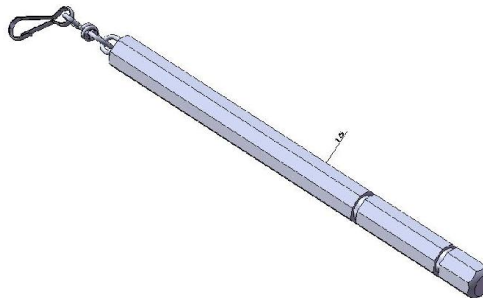
- square 15 x 600mm (L)
- square 15 x 750mm (L)
- square 15 x 1000mm (L)
- square 15 x 1250mm (L)
- square 15 x 1500mm (L)
- square 15 x 1800mm (L)



SME-B-08 Acrylic octagon type blind rod with small metal clip.

Specification:

- Octagon 15 x 600mm (L)
- Octagon 15 x 750mm (L)
- Octagon 15 x 1000mm (L)
- Octagon 15 x 1250mm (L)
- Octagon 15 x 1500mm (L)
- Octagon 15 x 1800mm (L)



SME-B-09 Acrylic hook type blind rod.

Specification:

- Acrylic hook dia.8 + dia.15 x 750mm (L)

